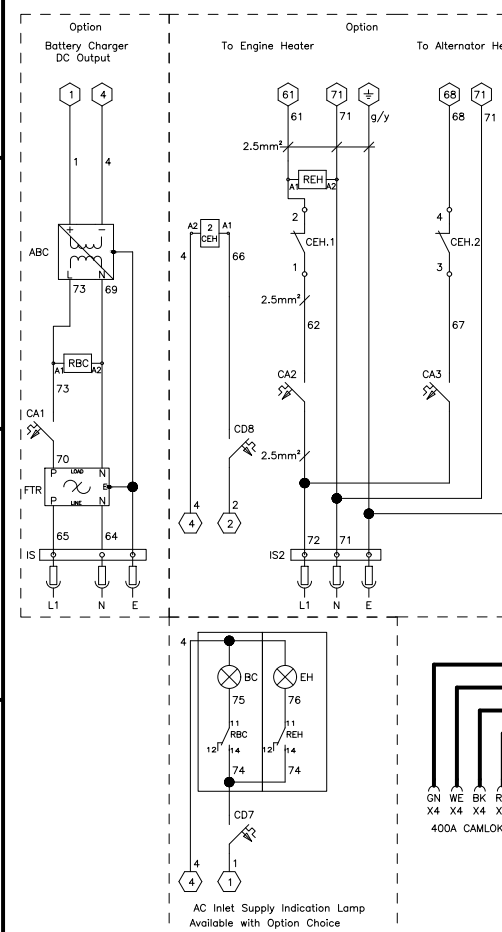
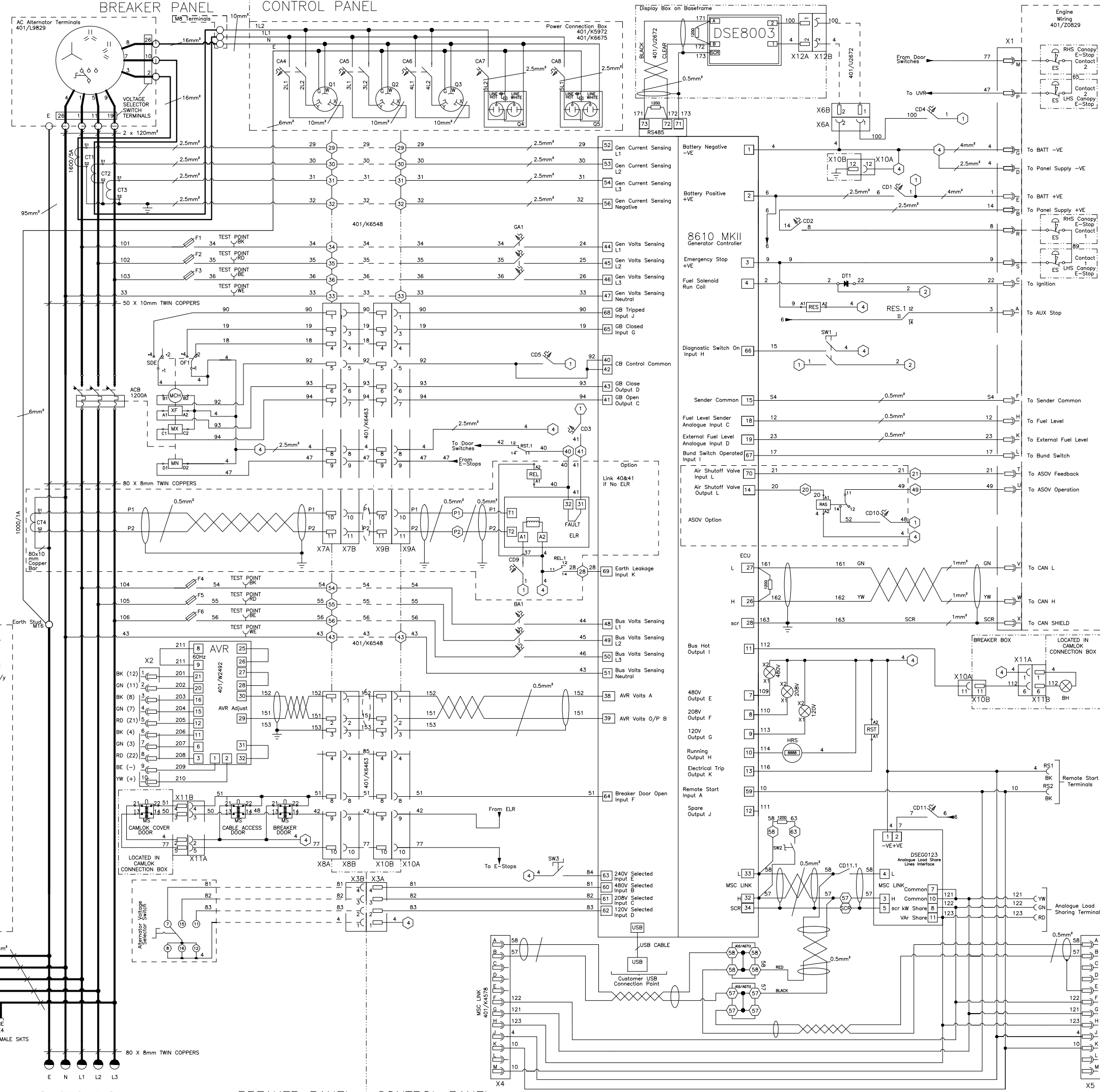


1	Permanent Live DC	MCB Molded Case Circuit Breaker
2	Ignition Live DC	ABC Automatic Battery Charger
4	Battery Negative DC	CEH Engine Heater Contactor
RS1,RS2	Remote Start Terminals -DC	BC Battery Charger ON LED (RED)
CD1	2A MCB Controller DC Supply	EH Engine Heater ON LED (RED)
CD2	6A MCB E-Stop DC Supply	RBC Battery Charge ON Relay
CD3	2A MCB UV Coil DC Supply	REH Engine Heater ON Relay
CD4	2A MCB TDU107 Supply	SW1 ECU Diagnostic Switch
CD5	10A ACB Control Supply	SW2 Resistor Switch
CD7	2A MCB Indicator Lamp Supply	SW3 240V Switch
CD8	2A MCB CEH DC Supply	AVR Automatic Voltage Regulator
CD9	2A MCB ELR DC Supply	MS Cable Access Door Limit Switch
CD10	6A MCB RAS DC Supply	ELR Earth Leakage Device
CD11	2A MCB DSE123 DC Supply	REL Earth Leakage Relay
CA1	6A MCB Battery Charger AC Supply	RST Breaker Trip Relay
CA2	20A MCB Eng Heater AC Supply	RAS Air Shut Off Relay
CA3	6A MCB Alt Heater AC Supply	RES Emergency Stop Relay
CA4	50A Twist Lock Connector Supply	REX Excitation Relay
CA5	50A Twist Lock Connector Supply	ES Emergency Stop Pushbutton
CA6	50A Twist Lock Connector Supply	BH Bus Hot LED (RED)
CA7	15A MCB GFCI Connector Supply	MN Under-Voltage Release Coil
CA8	15A MCB GFCI Connector Supply	OF1 Breaker Status Auxiliary
F1	2A Fuse Terminal	SDE Breaker Tripped Auxiliary
F2	2A Fuse Terminal	120 Ohm Resistor
F3	2A Fuse Terminal	X1 Engine Loom Connector
F4	2A Fuse Terminal	X2 Alternator AVR Connector
F5	2A Fuse Terminal	X3A/B Voltage Selector Switch Connector
F6	2A Fuse Terminal	X4 Set to Set Connector 1
CT1 CT2 CT3	Gen Current Transformers	X5 Set to Set Connector 2
CT4	Earth Leakage Toroid	X6A/B Remote Control Panel Connector
GA1	2A Gen Voltage Sensing	X7A/B Breaker Connector (Breaker Side)
BA1	2A Bus Voltage Sensing	X8A/B AVR Connector (Breaker Side)
IS 40A	110V BC Supply Inlet Socket	X9A/B Breaker Connector (Panel Side)
IS2 40A	110V EH Supply Inlet Socket	X10A/B AVR Connector (Panel Side)
Q1	50A Twist Lock	X11A/B Bus Hot Connector
Q2	50A Twist Lock	X12A/B Remote Control Panel Connector
Q3	50A Twist Lock	FTR EMC Filter
Q4	15A GFCI	480V Selected LED (GREEN)
Q5	15A GFCI	208V Selected LED (GREEN)
DT1	Diode Terminal	120V Selected LED (GREEN)



10	CA7&8 CHANGED TO 15A FROM 20A	MAR23
9	DSE123 CHANGED TO DSE0123	DEC22
8	DSE123 MSC LINK SWITCH ADDED	JUN21
7	REMOTE START ADDED TO MSC CONNECTIONS, 120 OHM RESISTOR ADDED ON ENGINE CAN	MAY21
6	MCB CA1 BATTERY CHARGER UP-RATED FROM 2A TO 6A	APR21
5	AVR WIRING UPDATED, LINKS ADDED	FEB21
4	CD11 ADDED	NOV20
3	WIRE 111 REMOVED, AVR WIRING UPDATED	NOV20
2	EMC FILTER POSITION MOVED, LAMP CONNECTION DETAILS ADDED, 120Ω RESISTOR REMOVED FROM CAN BUS	JUN20
1	PRODUCTION RELEASE	MAR20

NOTES - ELECTRICAL

CABLE SIZE: IMM UNLESS OTHERWISE STATED

CABLE COLOURS
DC CONTROL: YELLOW

AC POWER SINGLE PHASE: LIVE BLACK NEUTRAL WHITE
AC POWER THREE PHASE: L1 BLACK L2 RED, L3 BLUE, NEUTRAL WHITE
AC CONTROL: BLACK
CT WIRING: GREY

SYSTEM VOLTAGE: 24VDC / 120-480VAC

Note: Cable identification numbers on the manufactured looms with a letter after the number are a continuation of the same circuit on this schematic. eg. 4a,4b,4c, etc are represented as just 4 on this schematic. Refer to loom drawings in PLM for details.

TITLE:	DSE8610 CONTROL SCHEMATICS		
CLIENT:			
SITE:			
W.O. No.:	P852	CREATED BY:	CF
TYPE:	G400RST4F	DATE:	MAR20
SCALE:	NTS	CHECKED BY:	RB
SHEET:	1	DATE:	MAR20
DRAWING NO.	ISSUE		
401/UI239		10	
Copyright © JCB Power Products Limited. All rights reserved.			
JCB POWER PRODUCTS			
JCB Power Products Limited Airfield Industrial Estate, Hixon, Stafford, ST18 0PF, United Kingdom. tel: +44 (0) 1889 272 200			
www.jcbpowerproducts.com			