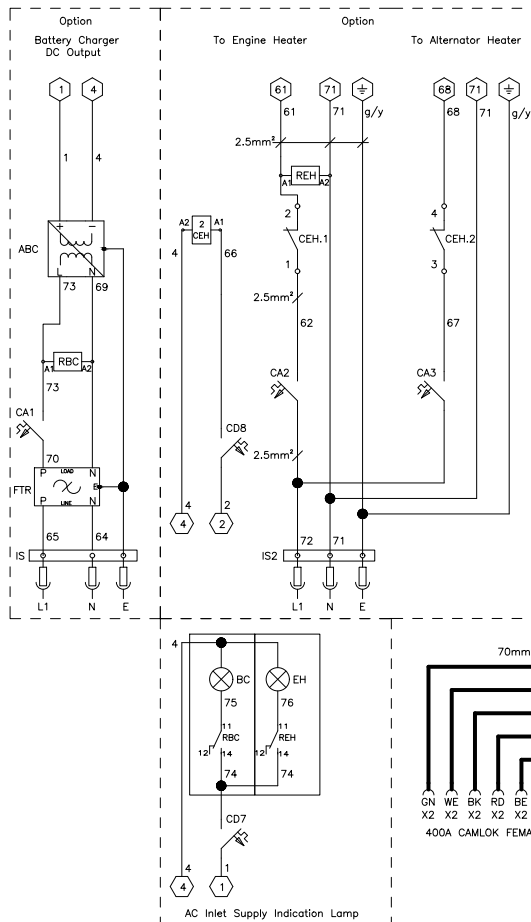
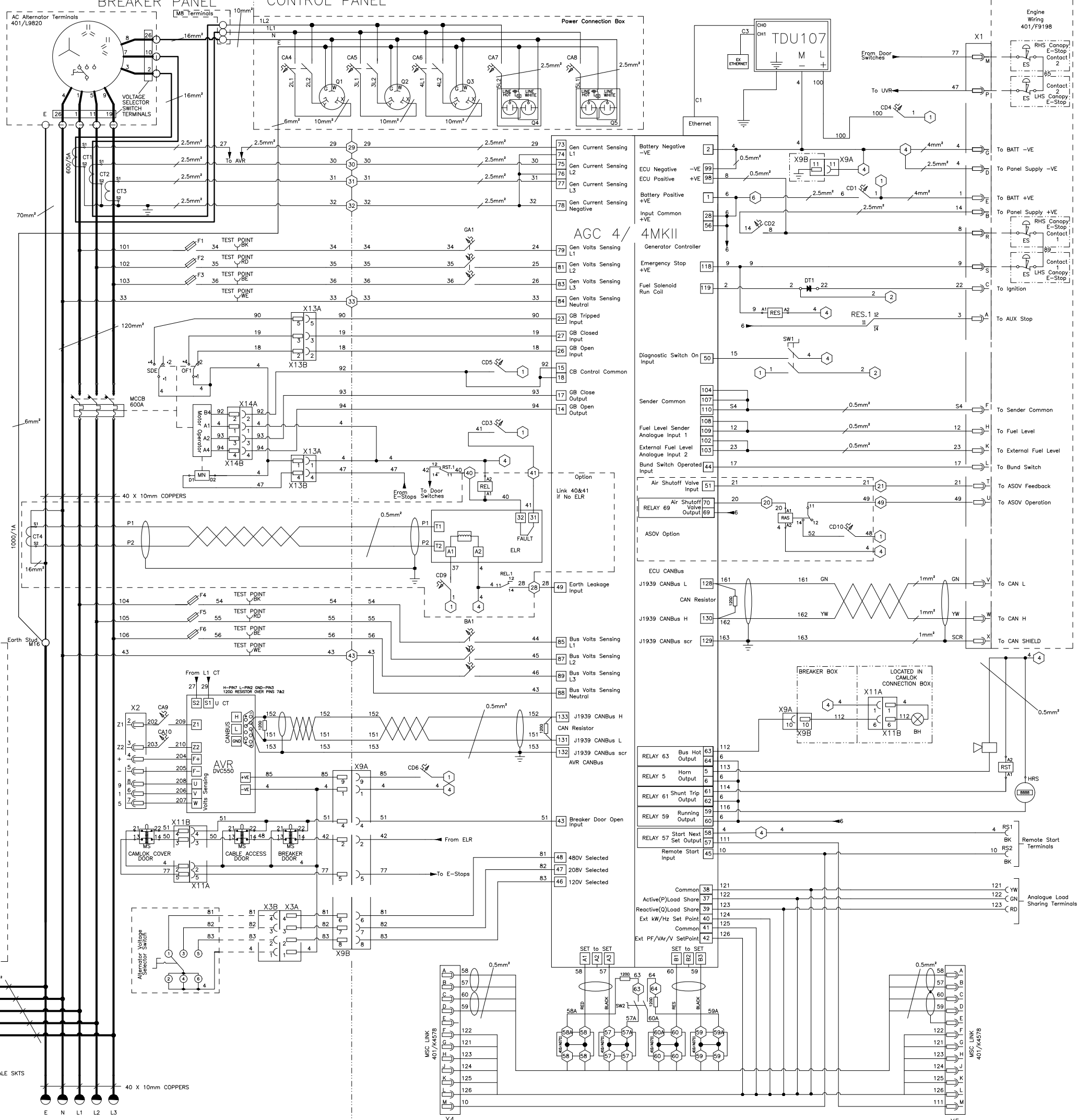


1	Permanent Live DC	MCBB Molded Case Circuit Breaker
2	Ignition Live DC	ABC Automatic Battery Charger
4	Battery Negative DC	CEH Engine Heater Contactor
RS1,RS2	Remote Start Terminals -DC	BC Battery Charger ON LED (RED)
CD1	2A MCB Controller DC Supply	EH Engine Heater ON LED (RED)
CD2	6A MCB E-Stop DC Supply	RBC Battery Charge ON Relay
CD3	2A MCB Shunt Trip (UVR) DC Supply	REH Engine Heater ON Relay
CD4	4A MCB TDU107 DC Supply	SW1 ECU Diagnostic Switch
CD5	10A MCB ACB Control DC Supply	SW2 Resistor Switch
CD6	2A MCB AVR DC Supply	AVR Automatic Voltage Regulator
CD7	2A MCB AC Indicator Lamp Supply	MS Cable Access Door Limit Switch
CD8	2A MCB CEH DC Supply	ELR Earth Leakage Relay
CD9	2A MCB ELR DC Supply	REL Earth Leakage Relay
CD10	6A MCB RAS DC Supply	RST Breaker Trip Relay
CA1	6A MCB Battery Charger AC Supply	RES Air Shut Off Relay
CA2	20A MCB Eng Heater AC Supply	RES Emergency Stop Relay
CA3	6A MCB Alt Heater AC Supply	REX Excitation Relay
CA4	50A Twist Lock Connector Supply	ES Emergency Stop Pushbutton
CA5	50A Twist Lock Connector Supply	BH Bus Hot LED (RED)
CA6	50A Twist Lock Connector Supply	MN Under-Voltage Release Coil
CA7	15A MCB GFCCI Connector Supply	OF1 Breaker Status Auxiliary
CA8	15A MCB GFCCI Connector Supply	SDE Breaker Tripped Auxiliary
F1	2A Fuse Terminal	120Ω 120 Ohm Resistor
F2	2A Fuse Terminal	X1 Engine Loom Connector
F3	2A Fuse Terminal	X2 Alternator AVR Connector
F4	2A Fuse Terminal	X3A/B Voltage Selector Switch Connector
F5	2A Fuse Terminal	X4 Set to Set Connector 1
F6	2A Fuse Terminal	X5 Set to Set Connector 2
CT1 CT2 CT3	Gen Current Transformers	X6 Remote Control Panel Connector
CT4	Earth Leakage Toroid	X9 Breaker Connector (Panel Side)
GA1	2A Gen Voltage Sensing	X11A/B CAMLOK Box Connector
BA1	2A Bus Voltage Sensing	X13A/B Breaker Aux Connector
IS 40A	110V BC Supply Inlet Socket	X14A/B Breaker Motor Connector
IS2 40A	110V EH Supply Inlet Socket	FTR EMC Filter
Q1	50A Twist Lock	CA9 6A MCB AVR Supply
Q2	50A Twist Lock	CA10 6A MCB AVR Supply
Q3	50A Twist Lock	
Q4	15A GFCCI	
Q5	15A GFCCI	
DT1	Diode Terminal	



No.	ALTERATIONS	APP'D	DATE
9	GND FOR TDU ADDED		MAR23
8	CA9&10 NOW CORRECTLY IDENTIFIED		AUG21
7	MCB CA1 BATTERY CHARGER UP-RATED FROM 2A TO 6A		APR21
6	CD4 CHANGED FROM 2A TO 4A		JAN21
5	AVR VOLTAGE SENSING WIRING CHANGED, CA9 AND CA10 ADDED		NOV20
4	EMC FILTER POSITION MOVED		JUN20
3	EMC FILTER ADDED, TERMINALS REMOVED IN HEATER OPTION, CONNECTION DETAILS ADDED TO Q1, Q2, Q3, Q4, & Q5, SW2 CHANGED FROM NC TO NO		MAR20
2	ELR CIRCUIT ALTERED MCB IDENT CHANGE		JAN20

NOTES - ELECTRICAL

CABLE SIZE: IMM UNLESS OTHERWISE STATED

CABLE COLOURS  
DC CONTROL: YELLOW

AC POWER SINGLE PHASE: LIVE BLACK NEUTRAL WHITE  
AC POWER THREE PHASE: L1 BLACK L2 RED, L3 BLUE, NEUTRAL WHITE  
AC CONTROL: BLACK  
CT WIRING: GREY

SYSTEM VOLTAGE: 24VDC / 120-480VAC

Note: Cable identification numbers on the manufactured looms with a letter after the number are a continuation of the same circuit on this schematic. eg. 4a,4b,4c, etc are represented as just 4 on this schematic. Refer to loom drawings in PLM for details.

TITLE:	AGC4 CONTROL SCHEMATICS		
CLIENT:			
SITE:			
W.O. No.:	P852	CREATED BY:	CF
TYPE:	G22ORST4F	DATE:	JAN20
SCALE:	NTS	CHECKED BY:	RB
SHEET:	1	DATE:	JAN20
DRAWING NO.	ISSUE		
401/G9344		9	
Copyright © JCB Power Products Limited. All rights reserved.			
<b>JCB POWER PRODUCTS</b>			
JCB Power Products Limited Airfield Industrial Estate, Hixon, Stafford, ST18 0PF, United Kingdom. tel: +44 (0) 1889 272 200			
www.jcbpowerproducts.com			