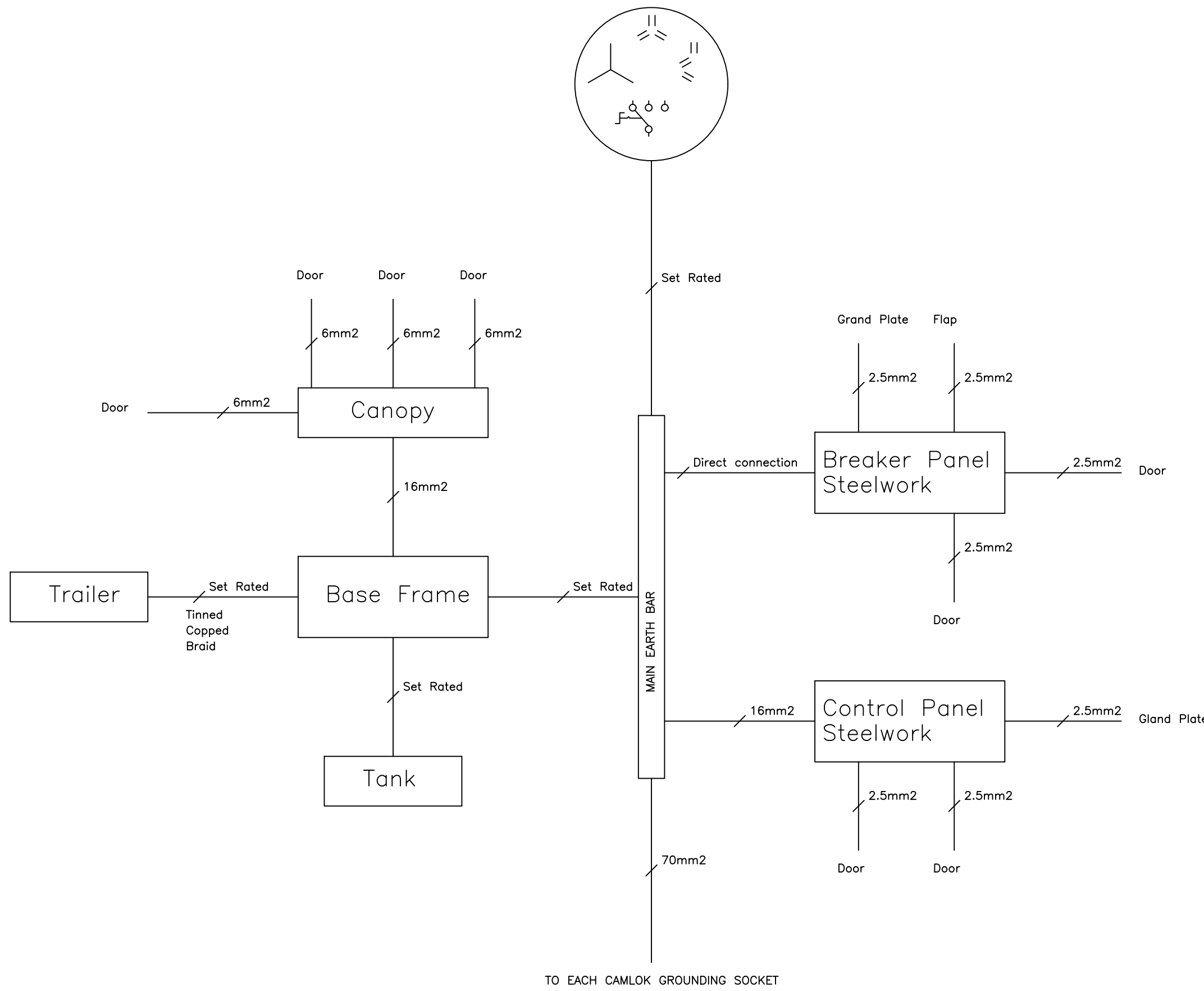


A  
B  
C  
D  
E  
F  
G  
H



OUTPUT CIRCUIT GROUNDING

GENSET	SET RATING
G70RST4F	= 35 mm2
G125RST4F	= 35 mm2
G220RST4F	= 70 mm2
G400RST4F	= 95 mm2
G625RST4F	= 150 mm2

DIRECT CONNECTION

GENSET	SET RATING
G70RST4F	= 60X10 COPPER BAR
G125RST4F	= 60X10 COPPER BAR
G220RST4F	= 60X10 COPPER BAR
G400RST4F	= 80X8 COPPER BAR
G625RST4F	= 80X8 COPPER BAR

1	Production Release	Mar20
A	FIRST ISSUE	MAY17
No.	ALTERATIONS	APP'D DATE

NOTES - ELECTRICAL

CABLE SIZE: IMM UNLESS OTHERWISE STATED  
 CABLE COLOURS  
 DC CONTROL: YELLOW  
 AC POWER SINGLE PHASE: LIVE BLACK NEUTRAL WHITE  
 AC POWER THREE PHASE: L1 BLACK L2 RED, L3 BLUE, NEUTRAL WHITE  
 AC CONTROL: BLACK  
 CT WIRING: GREY  
 SYSTEM VOLTAGE: 12/24VDC / 120-480VAC

TITLE:	TF4 EARTH SCHEMATICS		
CLIENT:			
SITE:			
W.O. No.:	P850/1/2	CREATED BY:	LZ
TYPE:	T4F	DATE:	MAY17
SCALE:	NTS	CHECKED BY:	VA
SHEET:	1	DATE:	MAR20
DRAWING NO.			ISSUE
401/H2922		1	

Copyright © JCB Power Products Limited. All rights reserved.



JCB Power Products Limited  
 Airfield Industrial Estate, Hixon, Stafford,  
 ST18 0PF, United Kingdom.  
 tel: +44 (0) 1889 272 200

www.jcbpowerproducts.com

1 2 3 4 5 6 7 8