

SPECIFICATION



LOADALL | 530-70 / 530-110

Lift capacity: 3,000kg | Gross power: 56kW (76hp) | Lift height: 7-11m

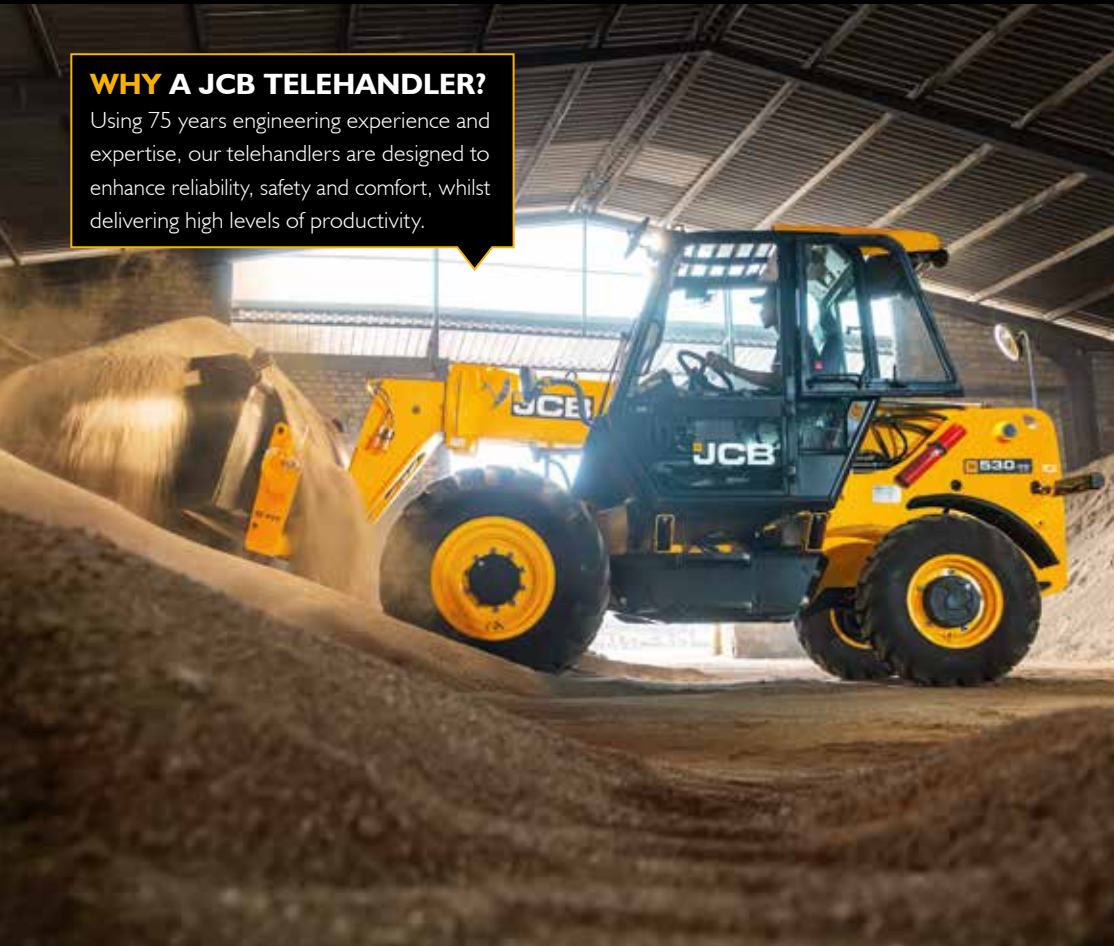


DO MUCH MORE

JCB pioneered the telehandler concept in 1977 and constant innovation has helped us remain the world's No.1 choice. Today, the JCB Loadall range is one of the most extensive in the world, offering the versatility of 4 machines in one: crane, forklift, wheel loading shovel and access platform. The 530-70 and 530-110 Loadalls have all the power and performance you need, with a proven JCB DIESELMAX engine and lift height of 7-11m.

WHY A JCB TELEHANDLER?

Using 75 years engineering experience and expertise, our telehandlers are designed to enhance reliability, safety and comfort, whilst delivering high levels of productivity.



MORE RELIABILITY

Designed to JCB's global standards and built to last, the 530-70 and 530-110 are the perfect machines for tough manual handling applications and environments.

MORE COMFORT

A clear digital display and well-designed cab ergonomics, ensure the operator is comfortable and in control at all times.



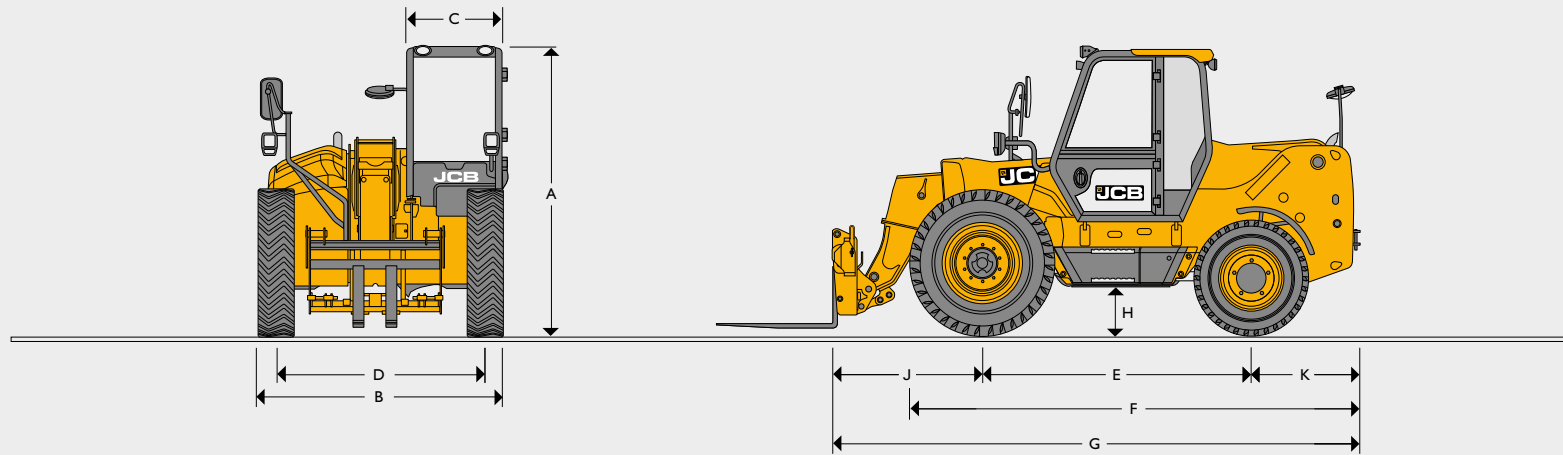
MORE SAFETY

The JCB patented load management control system protects both the operator and the customer's investment.

MORE CONNECTIVITY

JCB's LiveLink telematics system enables customers to monitor their machines remotely and stay informed with real-time servicing, security and operation information.

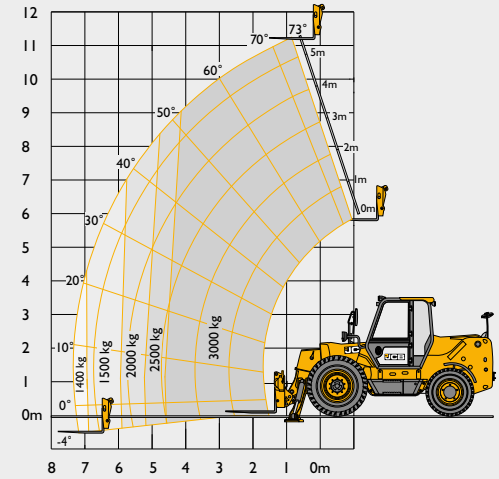
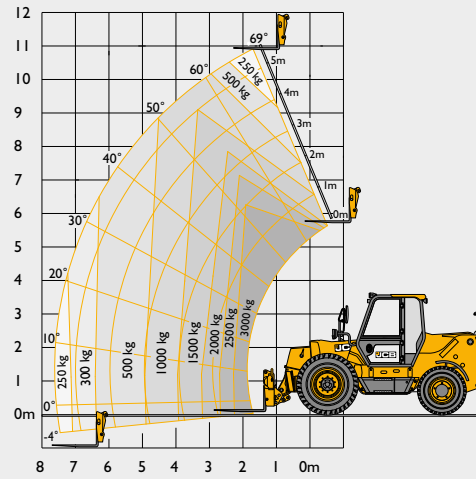
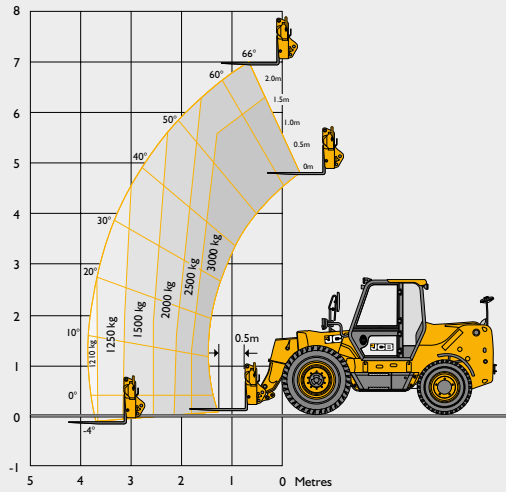
STATIC DIMENSIONS



			530-70	530-110
A	Overall height	m	2.62	2.62
B	Overall width (over tyres)*	m	2.36	2.36
C	Inside width of cab	m	0.79	0.79
D	Front track	m	1.99	1.99
E	Wheelbase	m	2.54	2.54
F	Overall length to front tyres	m	4.13	4.13
G	Overall length to front carriage	m	4.92	5.43
H	Ground clearance	m	0.39	0.39
J	Front wheel centre to carriage	m	1.42	1.93
K	Rear wheel centre to rear face	m	0.95	0.95
	Outside turn radius (over tyres)	m	4.85	4.85
	Operating weight (with GP shovel)	kg	7825	9805
	Operating weight (with forks)	kg	7510	9490

*Type dependent

LIFT PERFORMANCE



		530-70	530-110 (stabilisers retracted)	530-110 (stabilisers extended)
Maximum lift capacity	kg	3000	3000	3000
Lift capacity to full height	kg	2500	250	3000
Lift capacity at full reach	kg	1250	250	1400
Lift height	m	7.0	10.73	11.0
Reach at maximum lift height	m	1.0	1.5	0.9
Maximum forward reach	m	3.83	7.52	7.46
Reach with 1 tonne load	m	3.83	4.91	7.46
Maximum placing height	m	6.3	10.25	10.5
Maximum dump height	m	5.8	9.75	10
Shovel roll-back angle (at full height)	degrees	37	20	19.5
Shovel dump angle (at full height)	degrees	44	12	11.5

ENGINE

Manufacturer	JCB DIESELMAX 448	
Displacement	litres	4.8
No of cylinders	4	
Aspiration	Naturally aspirated	
Gross power @ 2200rpm	kW (hp)	56 (76)
Max. torque @ 1100rpm	Nm (kgm)	310 (31.6)
Reversible cooling fan (1 cycle at 20 mins interval). Pre-cleaner (Turbo III). Spark arrestor in exhaust system.		

TRANSMISSION

Type	JCB Synchro Shuttle with torque converter	
Gears	4 forward, 4 reverse	
Max speed	kph	30
Control	Electronic shuttle Transmission disconnect button 2/4 wheel drive disconnect	
Front & rear axle	JCB Max Track torque proportioning differential	

ELECTRICAL SYSTEM

System	Volt	12
Alternator output	Amp hour	130

SERVICE CAPACITIES

Fuel tank	litres	110
Hydraulic tank	litres	120
Engine oil	litres	14.2
Transmission oil	litres	18
Front axle oil	litres	21
Rear axle oil	litres	11
Engine coolant		
Brazil export variant	litres	26
SEA export variant	litres	22

STEERING

Front axle: Rigid
Rear axle: Rear wheel hydrostatic power steering with manual override

BRAKES

Service brakes: Hydraulically actuated, self adjusting, in-board, oil-immersed, multi-disc type in the front axle
Parking brake: Hand operated disc brake, gearbox output

WHEELS

Front: BKT 14 x 25 Industrial pattern loader grip, 20PR ply rating, tubeless
Rear: BKT 10x20 Industrial pattern, 18PR ply rating, tubeless

HYDRAULICS

	530-70	530-110
Operating system pressure	bar	245
Single boom hydraulic auxiliary with quick release	Standard	
Main hydraulics	l/min	103
Pump	l/min	2 section gear pump
Loader controls	Mechanical lever - loading pattern	
Hydraulic cycle times	Seconds	
Boom raise	9.9	11.3
Boom lower	7.9	9.2
Extend	5.9	14.7
Retract	3.7	19.7
Bucket dump	3.4	3.0
Bucket crowd	2.8	2.4
External sight gauge.		

FEATURES**CAB**

ROPS (Roll Over Protection System) - ISO 3471	•
FOPS (Falling Object Protection System) - ISO 3449	•
Fully glazed cabin	•
Vinyl easy clean seat	•
Adjustable seat belt	•
Split door with latch back	•
Roof & screen sun blinds	•
Face fan	•
12v charging socket	•

INSTRUMENTS

Engine speed	•
Engine hours	•
Water temperature	•
Load Moment Indicator (LMI) + Inclinometer	•

ACCESSORIES

Lockable toolboxes	•
Fire extinguisher	•
Road lights	•
Front cab work lights	•
Rear cab work lights	•
Recovery hitch	•
Hydraulic level indicator	•

CARRIAGE / TOOL CARRIER

JCB Q-Fit - with integrated forks	•
-----------------------------------	---

TELEMATICS - JCB LIVELINK

Machine hours	•
Location positioning / movements	•
Diagnostic / service alerts	•
Geofencing	•

ATTACHMENTS

Floating forks and bar (Q-Fit mounted)	+
General purpose bucket with toe plate	+
Grain shovel	+
Crane hook (fork mounted)	+
Multishovel	+
Round bale clamp	+
Shear grab	+
Power grab	+
Industrial fork	+
Grain pusher	+
Bucket brush	+
Agricultural shovel	+

STANDARD •
OPTIONAL +



ONE COMPANY, OVER 300 MACHINES.

Your nearest JCB dealer

JCB LOADALL 530-70 / 530-110

Lift capacity: 3000kg Gross power: 56kW (76hp) Lift height: 7-11m

JCB Sales Limited, Rocester, Staffordshire, United Kingdom ST14 5JP.

Tel: +44 (0)1889 590312 Email: salesinfo@jcb.com

Download the very latest information on this product range at: www.jcb.com

©2022 JCB Sales. All rights reserved. No part of this publication may be reproduced, stored in a retrieval system, or transmitted in any form or by any other means, electronic, mechanical, photocopying or otherwise, without prior permission from JCB Sales. All references in this publication to operating weights, sizes, capacities and other performance measurements are provided for guidance only and may vary dependant upon the exact specification of machine. They should not therefore be relied upon in relation to suitability for a particular application. Guidance and advice should always be sought from your JCB Dealer. JCB reserves the right to change specifications without notice. Illustrations and specifications shown may include optional equipment and accessories. All images are correct at time of print. The JCB logo is a registered trademark of J.C. Bamford Excavators Ltd.

